

D1435-G50L-9 High Power AO Deflector



rev-0

2922

APPLICATIONS

- Material Processing
- Via Hole Drilling
- Surface texturing

FEATURES

- Low loss
- High Optical Power
- All Solid-State

The D1435-G50 series are low loss multi-spot deflector/modulators optimized for duty cycled applications and designed to minimize thermal lensing and reduce beam degradation at high optical powers.

SPECIFICATIONS (TYPICAL)

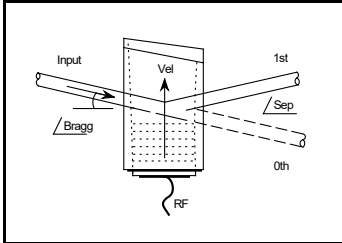
Operating Wavelength:	9.3um, 9.4um or 9.6um (specify)
Interaction Material:	Germanium
Active Aperture :	9mm High x 15mm Wide
Clear Aperture :	12.7mm High x 20mm Wide
Centre Frequency (fc):	50MHz
RF Bandwidth:	20MHz
Recommended duty cycle	< 40%,
Maximum duty cycle	100% with caution
RF Power for Max. DE	< 180 Watts peak total (9.4um)
Static Insertion Loss:	< 5%
Maximum Optical Power:	600 Watts, 7mm dia. Gaussian beam
Laser Polarization:	Linear, Horizontal
Water Cooling (Minimum):	> 2 Liters/Minute @ < 20°C
<u>Dual Spot Performance at 9.4um</u>	
Bragg Angle at 9.4um:	42.7 mrad, nominal
Separation Angle at 9.4um:	68.4 mrad (40MHz), 102.5 mrad (60MHz)
Optical Rise Time	0.12usec / mm beam diameter
Diffraction Efficiency (DE)	> 85%, 90% typical

RF DRIVERS

D1435: Copper case parts (standard)	
Fixed dual frequency:	RN5BR-4060-2-90
Programmable Synthesizer:	iSPA4060-2-BR
D1435A: Aluminium case parts (option)	
Fixed dual frequency:	RN5-4060-2-90
Programmable Synthesizer:	iSPA4060-2

ALL SPECIFICATIONS SUBJECT TO CHANGE WITHOUT NOTICE
 ISOMET CORP, 10342, Battleview Parkway, Manassas, VA20109, USA.
 Tel: (703) 321 8301 Fax: (703) 321 8546
 E-mail: ISOMET@ISOMET.COM Web Page: WWW.ISOMET.COM

Quality Assured.
In-house: Crystal Growth,
Optical Polishing,
A/R coating, Vacuum Bonding



D1435-G50L-9 High Power AO Deflector

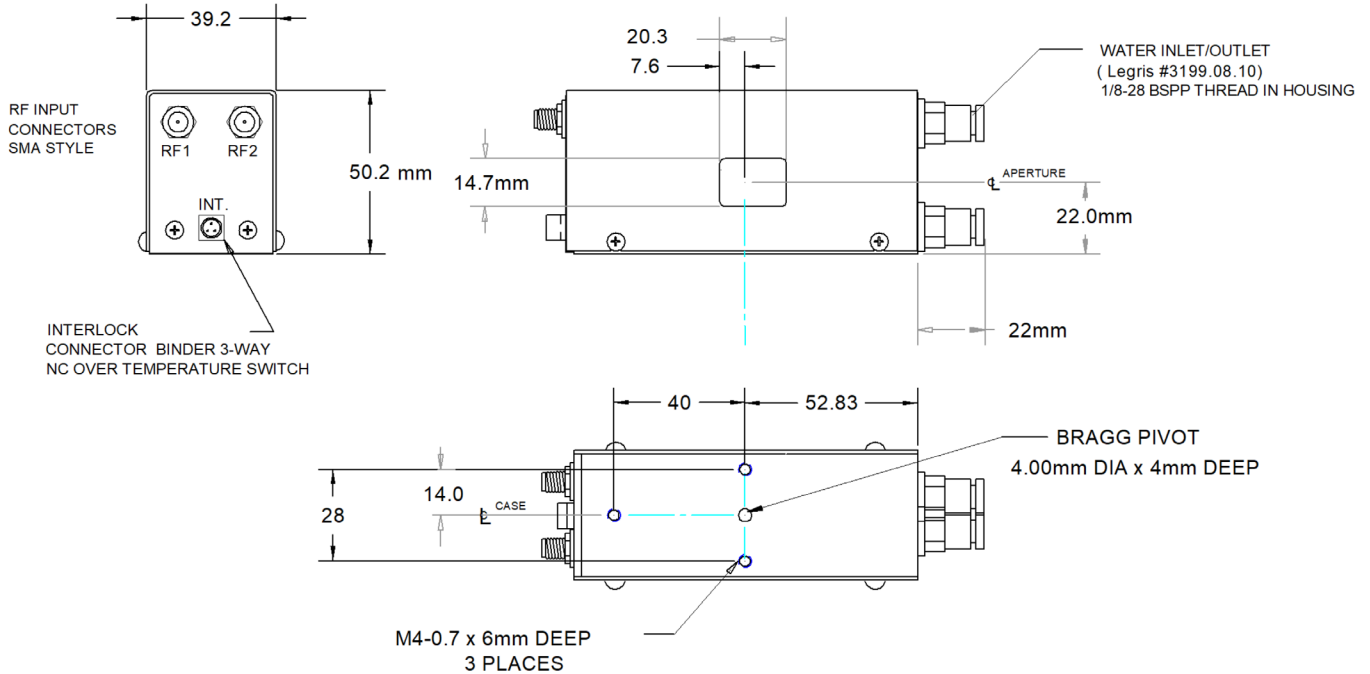


rev-0

2922

OUTLINE DRAWING

Dimensions: mm



Refer application note AN1906 regarding Coolant Specification

Options

D1435(A): Case parts in contact with coolant are fabricated from Aluminium

ALL SPECIFICATIONS SUBJECT TO CHANGE WITHOUT NOTICE
 ISOMET CORP, 10342, Battleview Parkway, Manassas, VA20109, USA.
 Tel: (703) 321 8301 Fax: (703) 321 8546
 E-mail: ISOMET@ISOMET.COM Web Page: WWW.ISOMET.COM

Quality Assured.
 In-house: Crystal Growth,
 Optical Polishing,
 A/R coating, Vacuum Bonding